



WIRE ROPE LADDERS

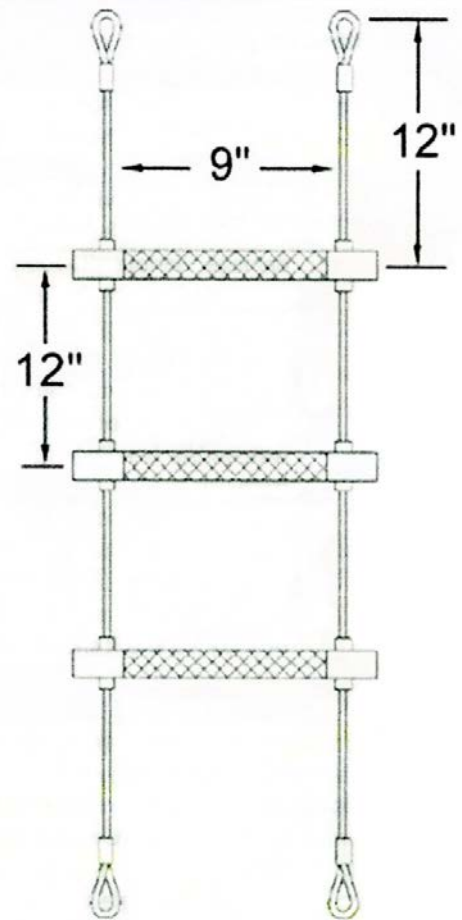
- ESTA Approved.
- High Quality 6061-T6 Aluminum Rungs
- Non Slip 1" Round Rungs.
- Constructed With 3/16", 7X19 Galvanized Aircraft Cable.
- Also Available in all Black.
- Made in the U.S.A.

Standard Lengths In Stock					
Length	25'	30'	35'	40'	50'
Weight	14lbs	17lbs	20lbs	23lbs	29lbs

WIRE ROPE LADDER SAFETY AND INFORMATION:

Please familiarize yourself and your employees using the ladder with these and other parts of this document.

- ✓ DO inspect the ladder prior to each installation or at regular intervals if ladder is installed for extended periods of time.
- ✓ DO remove the ladder from service if there is any evidence of a rung having slipped on the suspension cables.
- ✓ DO remove the ladder from service if any rungs are bent.
- ✓ DO make sure the ladder is attached properly prior to climbing.
- ✓ DO make sure that the fall protection system is installed and used in compliance with the State and/or the Federal OSHA Laws.
- ✓ DO make sure that all users read and understand these instructions.
- ✓ DO NOT climb the ladder without being certain that it has been suspended properly.
- ✓ DO NOT wrap the wire rope around anything to hang the ladder.
- ✓ DO NOT allow the wire rope to come into contact with any sharp objects or rough edges. This is especially important once the ladder has been suspended.
- ✓ DO NOT allow persons weighing more than 350lbs. to climb the ladder. For persons over this weight limit, a different ladder system must be used.
- ✓ DO NOT allow more than one person at a time on the ladder.
- ✓ DO NOT use a ladder that has any broken wire or other damaged components.
- ✓ DO NOT allow the ladder to be used without the additional required fall protection system in use.





WIRE ROPE LADDERS

INSPECTING OUR LADDER:

Inspect the entire ladder for defects or damages to any of the materials before using your wire rope or web ladder. Please use the following guidelines during the inspection procedure:

1. **Wire Rope:** The wire rope rails of the ladder are very important to the strength of the system. The wire should be inspected in the same fashion as any sling, observing the entire length for damage. Serious situations can occur if a person cuts themselves while climbing a ladder. Unlike a sling that the law allows to have a few broken wires, one broken wire on a wire rope ladder is too many. If there are any broken wires the ladder **MUST** be removed immediately from use.
2. **Thimbles:** Close attention should be given also to the area immediately close to the thimble eyes because this is potentially the weakest part of the wire rope. Kinking and/or crushing of the wire and/or bending of the thimble/sleeves are also important aspects for removing the ladder from use.
3. **Stop Sleeves:** Check the area around the stop sleeves for any evidence of rung slippage. Any such evidence means the removal of the ladder at once. Remember, once a sleeve slips, it will slip again with much less force applied.
4. **Rungs:** The rungs should be inspected for signs of bending. If a rung is bent, the ladder has been overloaded and it should be removed from use.

RETURNING A DAMAGED LADDER TO SERVICE:

In some cases the damaged area can be cut out of the ladder and a shorter usable ladder used in its place. This should only be done by a competent rigger, one who is qualified to evaluate the cause of the damage and be able to reasonably determine that the rest of the ladder is still safe. Since there are no repairs that can be made to a wire rope ladder that result in the ladder remaining the same length, it is important to treat this life support system with due respect. If you do, you can expect a long useful life from this product, thus a good value.

FALL PROTECTION PLAN:

The mandatory Fall Protection System should be installed according to the manufacturer's instruction. Consideration should be given to the strength of the anchorages. OSHA requires a 5,000lb. anchor point independent from the ladder. Rescue should also be addressed prior to the ladder being used.